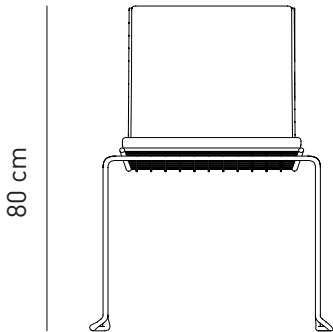
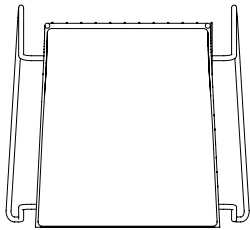
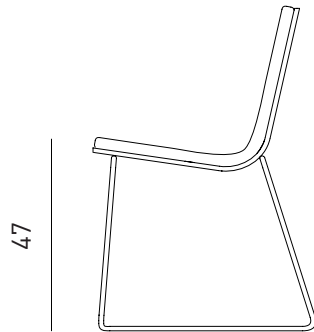


GRID CHAIR

Designed by
PARLAstudio



57



49

Description

Frame: Powder coated
wired metal structure
Seat & Back: Upholstered
seat and back cushion
Finish: Available in RAL colors

Dimensions

W57 D49 H80 SH47