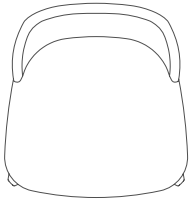


SABIEN CHAIR

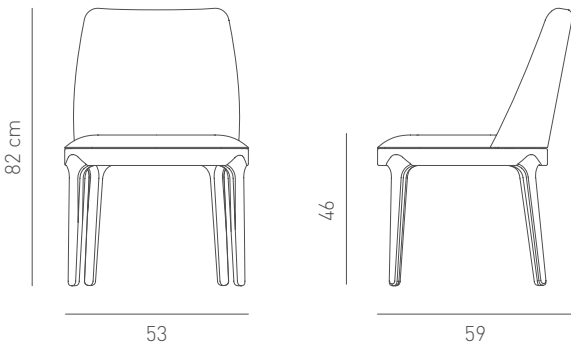
Designed by
David Fox



The design of the Sabien family is both elegant, and boasts elements of luxury in its aesthetic. The slender tapered leg, has a wrap that exposes the top of the leg, a little like a slash or off the shoulder detail seen in couture womens wear. Using the theme of fashion, piped edge details, and quilted seat and back pays reference to handbag design.



Description
Frame: Plywood back and
solid beech legs
Seat & Back: Upholstered seat
and back
Finish: Available in multiple
stain colours



Dimensions
W53 D59 H82 SH46