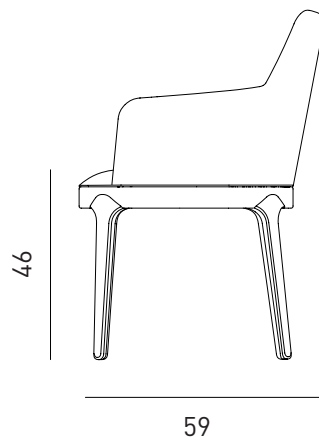
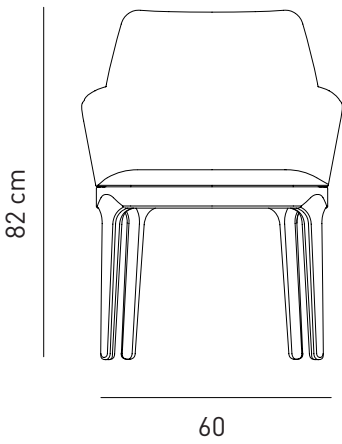
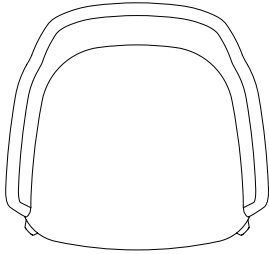


# SABIEN A CHAIR

Designed by  
**David Fox**



The design of Sabien family is both elegant, and boasts elements of luxury in its aesthetic. The slender tapered leg, has a wrap that exposes the top of the leg, a little like a slash or off the shoulder detail seen in couture womens wear. Using the theme of fashion, piped edge details, and quilted seat and back pays reference to handbag design.



## *Description*

Frame: Plywood structure and solid beech legs  
Seat & Back: Upholstered seat and back  
Finish: Available in multiple stain colors

## *Dimensions*

W60 D59 H82 SH46